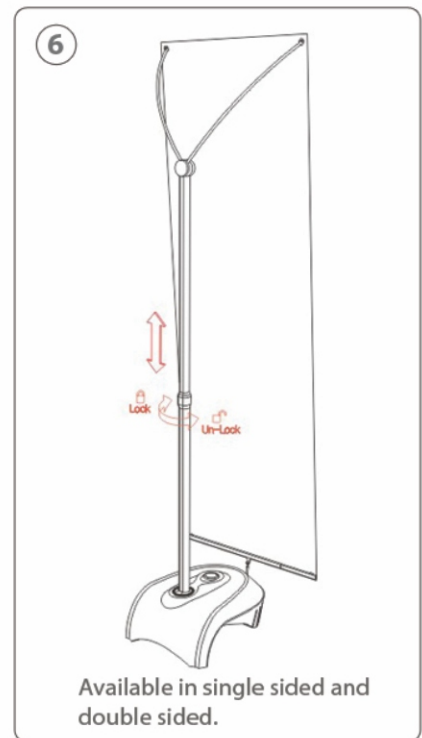
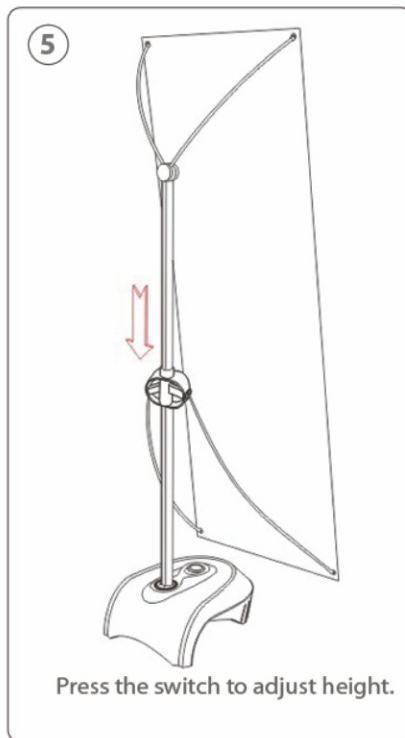
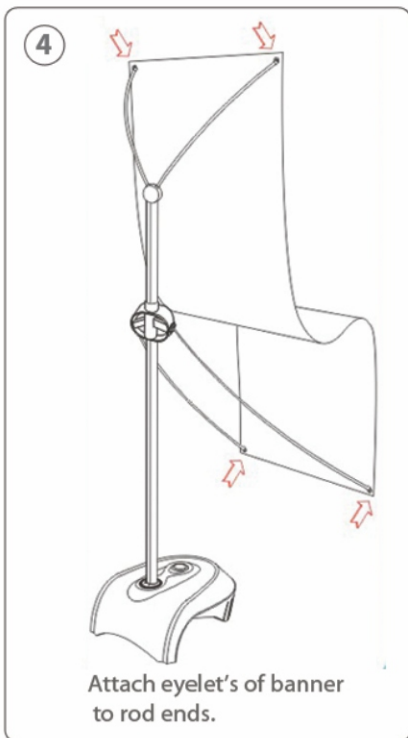
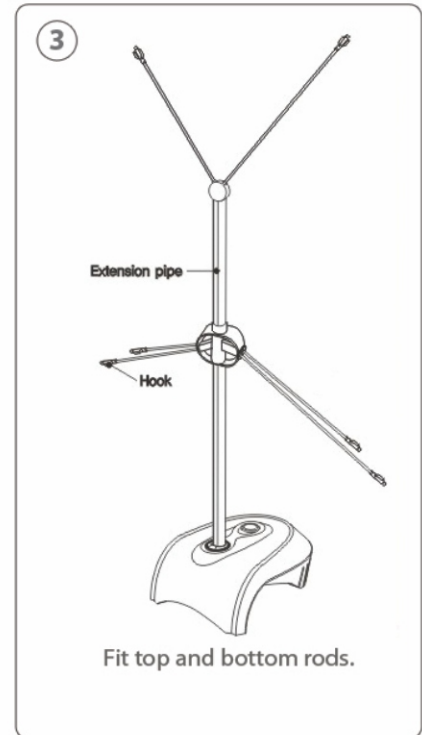
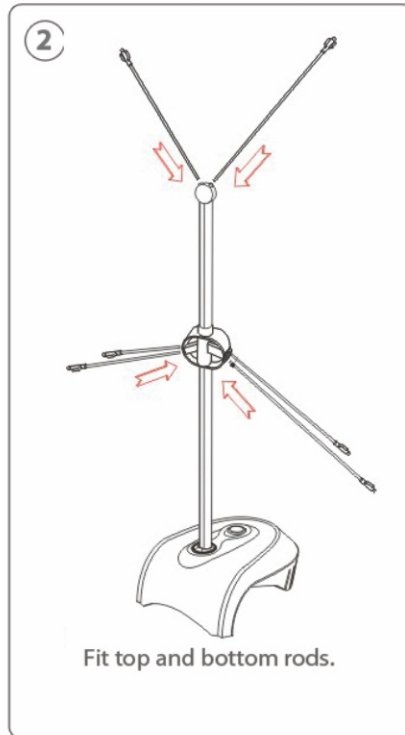
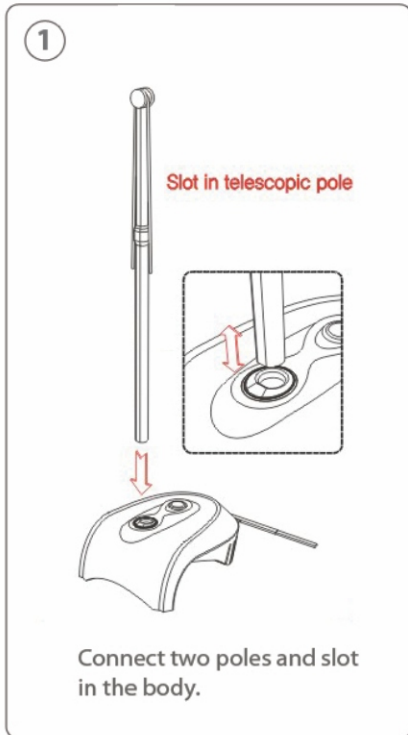


# Double Sided Set Up Instruction



- \* Use only for Banner Stand
- \* Bring inside during strong wind
- \* Fill base with water to add stability for outdoor use